

10L45P

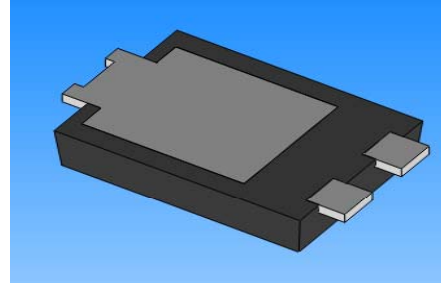


SCHOTTKY BARRIER RECTIFIER VOLTAGE RANGE 45Volts CURRENT 10.0 Ampere

FEATURES

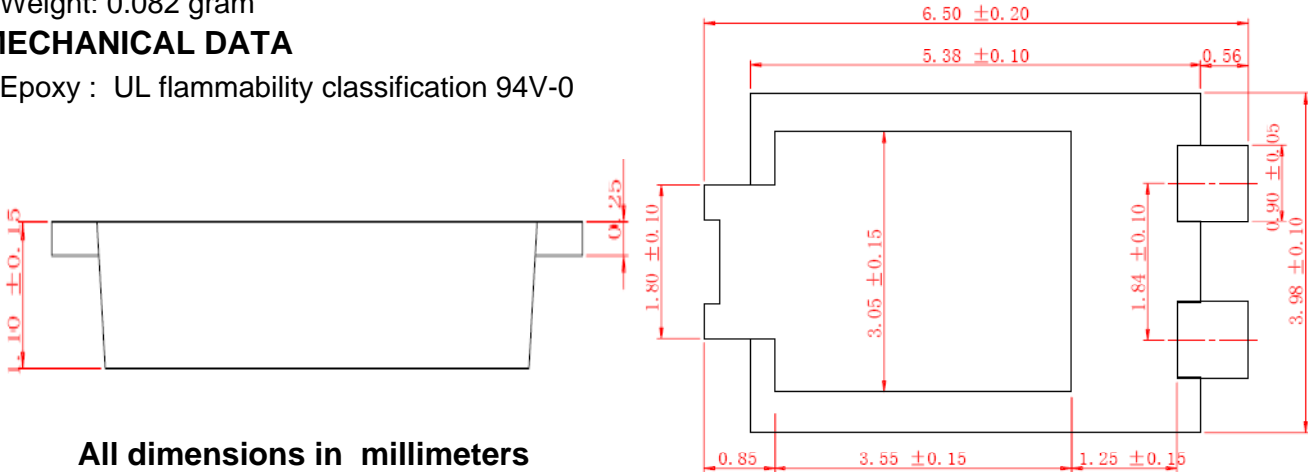
- * Low switching noise
- * Low forward voltage drop
- * High surge capability
- * High current capability
- * Mounting position: Any
- * Weight: 0.082 gram

TO-277



MECHANICAL DATA

- * Epoxy : UL flammability classification 94V-0



All dimensions in millimeters

MAXIMUM RATINGS (@ TA=25 °C unless otherwise noted)

RATINGS	SYMBOL	10L45P	UNITS
Maximum Recurrent Peak Reverse Voltage	V_{RRM}	45	Volts
Maximum RMS Voltage	V_{RMS}	31.5	Volts
Maximum DC Blocking Voltage	V_{DC}	45	Volts
Maximum Average Forward Rectified Current at Ambient Temperature	I_o	10	Amps
Peak Forward Surge Current 8.3 ms single half sine-wave superimposed on rated load (JEDEC method)	I_{FSM}	250	Amps
Operating Temperature Range	T_J	150	°C
Storage Temperature Range	T_{STG}	-55 to + 150	°C

ELECTRICAL CHARACTERISTICS(@TA=25 °C unless otherwise noted)

		VF	TYP.	MAX.	
Forward Voltage Drop (note1)					
$I_F=10A, T_A=25^{\circ}C$			0.44	0.47	Volts
$I_F=10A, T_A=125^{\circ}C$			0.41	-	
Maximum Reverse Current at Rated DC Blocking Voltage	@ $T_A=25^{\circ}C$	IR	200		uA
	@ $T_A=100^{\circ}C$		40		mA

Notes:(1) Pulse test :300 us pulse width,1% duty cycle

FIG.1 MAXIMUM FORWARD CURRENT DERATING CURVE

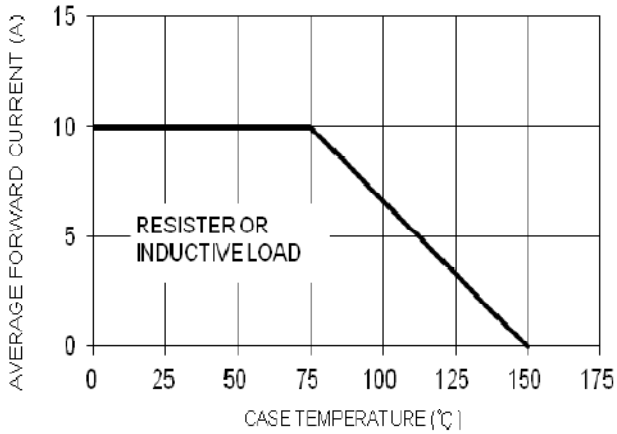


FIG.2 MAXIMUM NON-REPETITIVE FORWARD SURGE CURRENT PER LEG

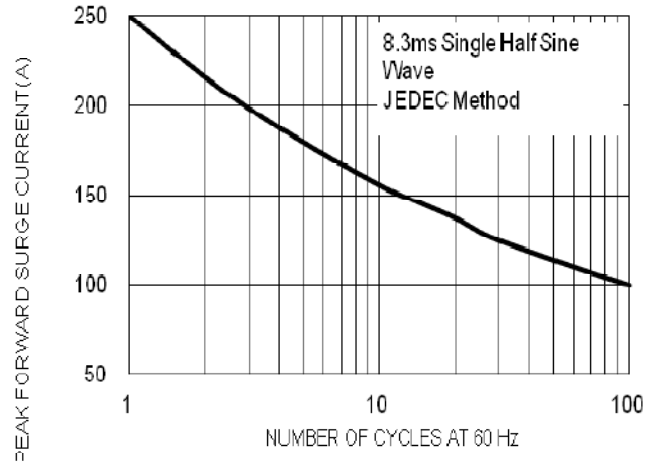


FIG.3 TYPICAL FORWARD CHARACTERISTICS PER LEG

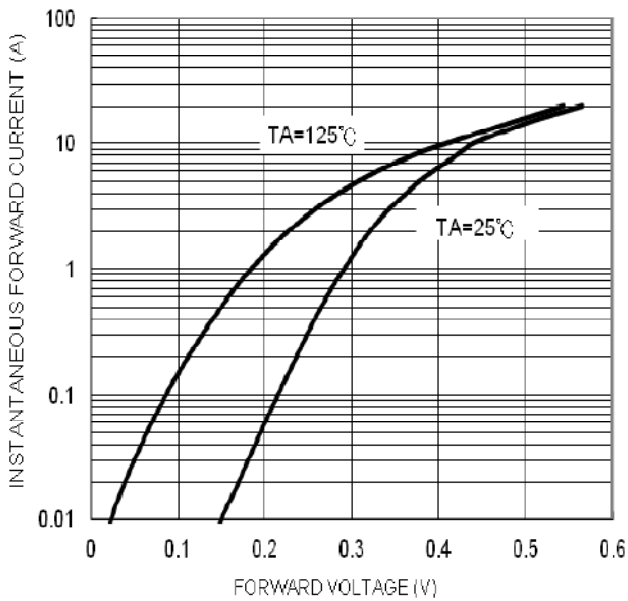


FIG.4 TYPICAL REVERSE CHARACTERISTICS PER LEG

